

Products Group



10.4" Liquid Crystal Panel Mount Display

Model: REP-10CPU-PM

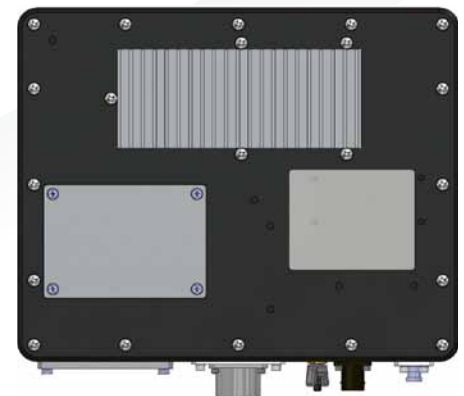
KEY FEATURES

- 10.4" Color Active Matrix Liquid Crystal Display
- 800 x 600 (SVGA)
- 400 cd/m2 Brightness
- Built-in CPU
- 500 MHz processor, 256M DRAM, and 1MB Bios Flash
- Ethernet, Compact Flash, Mouse, Keyboard, and IDE Connections
- EMI Anti-Reflective Protective Window
- Designed and Built to Military Standards
- Wide Viewing Angle ± 70 Degrees

The REP-10CPU-PM is Epsilon's 10.4" display and has a built-in CPU offering significant benefits with respect to dimensions, ruggedization and video quality. It has an Ethernet connection, a PS2 mouse and keyboard ports. The REP-10CPU-PM combines unmatched mechanical integrity with exceptionally low weight to provide a unique, rugged display solution, especially for applications where space and weight are critical.

The REP-10CPU-PM has a native resolution of 800 x 600 (SVGA) offering excellent performance in terms of brightness, crispness, contrast and viewing angle. The bezel and mounting can be customized to address virtually any mounting need in any application. Additionally, the REP-10CPU-PM combines this high level of performance and versatility with a very competitive price/performance value.

Epsilon's display has been designed and qualified for applications in the most hostile environments. Epsilon's rugged displays are well suited for specific naval combat, army and airborne applications.



BACK



BOTTOM

TECHNICAL SPECIFICATIONS

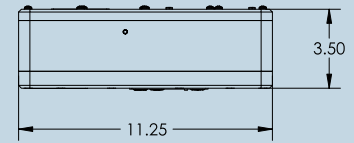
Active Display Area	10.4" TFT Active Matrix LCD 211.2 x 158.4 mm (8.32" x 6.24")
Display Resolution	800 x 600 (SVGA)
LCD Technology	CCFL Backlighting
Input Interface	Ethernet, Compact Flash, Mouse, Keyboard, and IDE
Brightness	400 cd/m ²
Viewing Angle	± 70 Degrees All Directions (Typical)
Contrast Ratio	500:1 (Typical)
Display Colors	16.7 M
Power Supply	115 VAC
Model Number	REP-10CPU-PM
User Controls	Brightness/Dim, Power

DESIGNED TO MEET RIGOROUS MILITARY SPECIFICATIONS

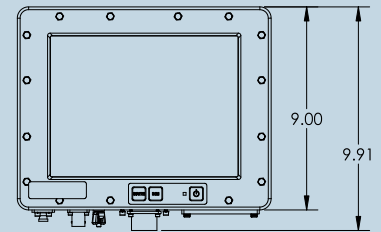
MIL-STD-167-1, Type 1	Vibration
MIL-STD-810	Environmental
MIL-STD-901D Grade A, Class I, Type A	Shock
MIL-STD-461E	EMI/EMC

ENVIRONMENTAL SPECIFICATIONS

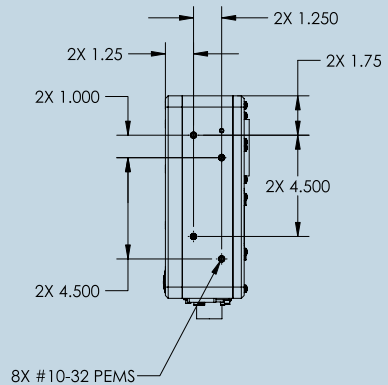
IP Rating	IP65 Drip Proof
Operating Temperature	0°C to 60°C
Storage Temperature	-20°C to +80°C
Humidity	5 to 95% @ RH Non-condensing



TOP



FRONT



SIDE

DIMENSIONS	INCHES	MILLIMETERS
Height	9.06"	230.2 mm
Width	11.25"	285.75 mm
Depth	3.75"	95.3 mm
Weight	14 lbs	6.4 kg

Freddie Chavez, Jr., Vice President
 Products Group
 (T) 609-702-1700 x 107
 (E) productsinformation@epsilonsystems.com
 Products Group
 5482 Complex Street, Suite 109
 San Diego, CA 92123
 (T) 619-702-1700
 Headquarters and Corporate Office
 9242 Lightwave Avenue, Suite 100
 San Diego, CA 92123